

Sink Quadra EVO Gun Metal

Kitchen Sinks

Code: 1254 856



DETAILS

Edge/Installation Type	Undermount
Material	AISI 304 stainless steel
Texture	Brushed in line
Finish	PVD
Finish	Foster brushed
Coloring	Gun Metal
Base	60 cm
Dimensions	470 x 470 mm
Bowl dimension	430 x 430 mm

Width 47 cm

Built-in hole [View technical data sheet](#)

Number of bowls 1 bowl

Mixer holes No standard holes

Drainer No

Waste fitting 3,5" drain

Standard fittings Fixing hooks, drain, overflow and siphon, boxed packing

Notes: Cad 3D geometries can be provided on request to make grids in the same material as the worktop.

EQUIPMENT

1 x Black Grid 8100 615

FEATURES

Basket 3,5" waste fitting The drain is equipped with a large 3.5" drain, with the practical basket cap that prevents the discharge of solid parts.

Deep bowls This bowls reach an important depth, over 20 cm, thanks to the advanced production technology, that can be offer great capincy and practicity in all the washing operations.

High thickness 1mm thick steel. A significant thickness, which guarantees the maximum sturdiness and durability.

MOULDED BOTTOM

The moulded bottom guarantees perfect water flow and facilitates cleaning operations thanks to the perimeter step with sloping walls.

Perimetral overflow

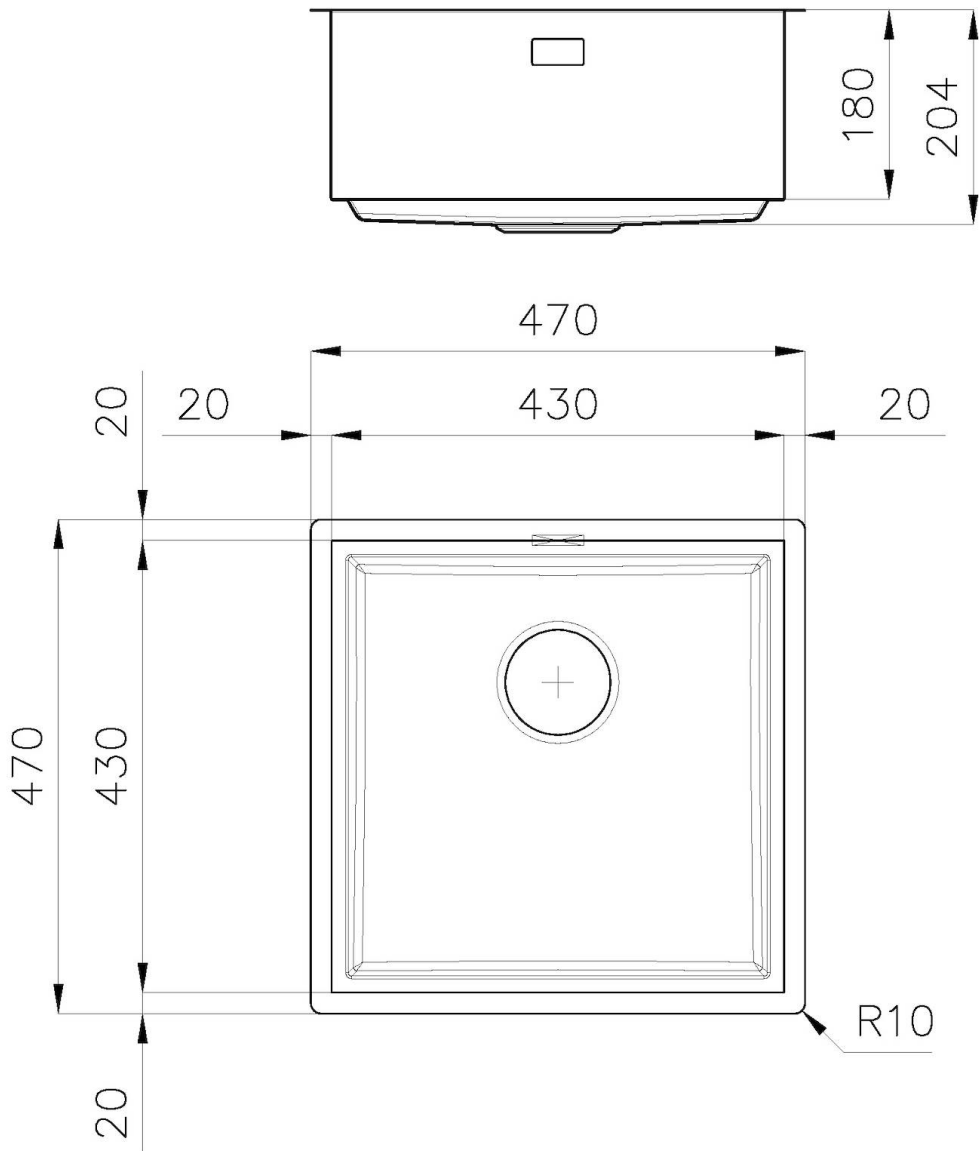
The overflow is always a security on the Foster sinks that prevents the overflow of water in case of oversights. The perimeter drain solution improves aesthetics thanks to its square and essential shape.

Squared bowls - 0 radius

The square bowls of Foster have perfectly squared vertical edges.

TECHNICAL DATA

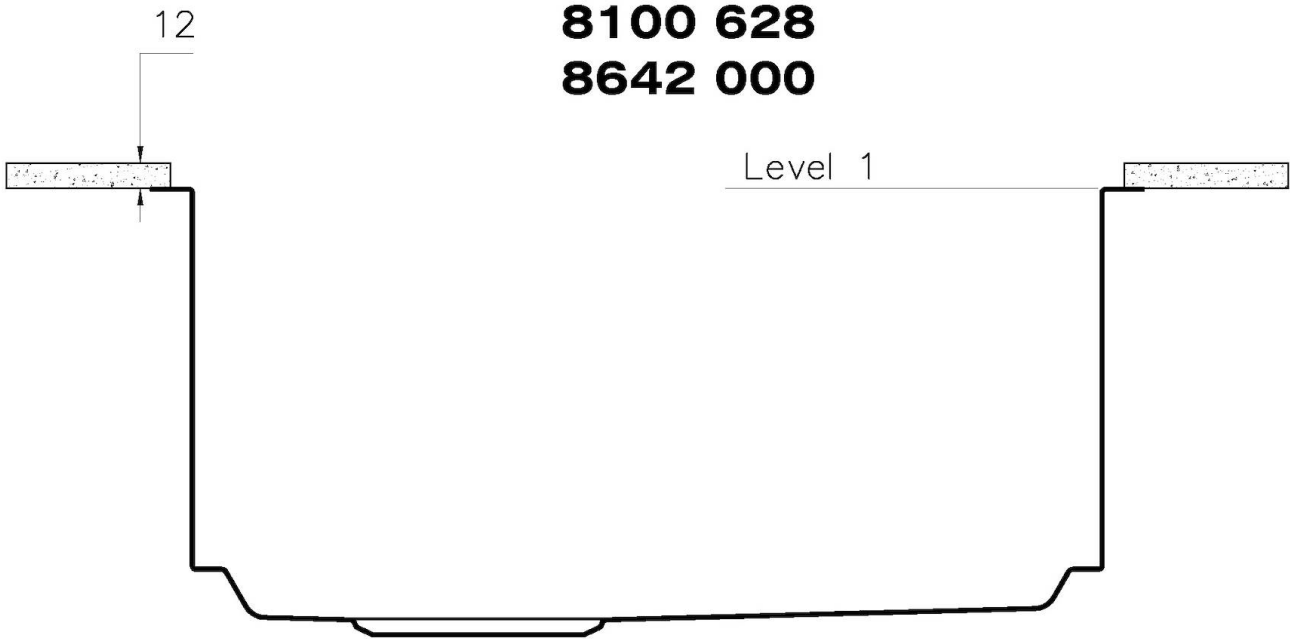
1254/85-



QUADRA EVO Livelli accessori / Level accessories SOTTOTOP / UNDERMOUNT

LEVEL 1:

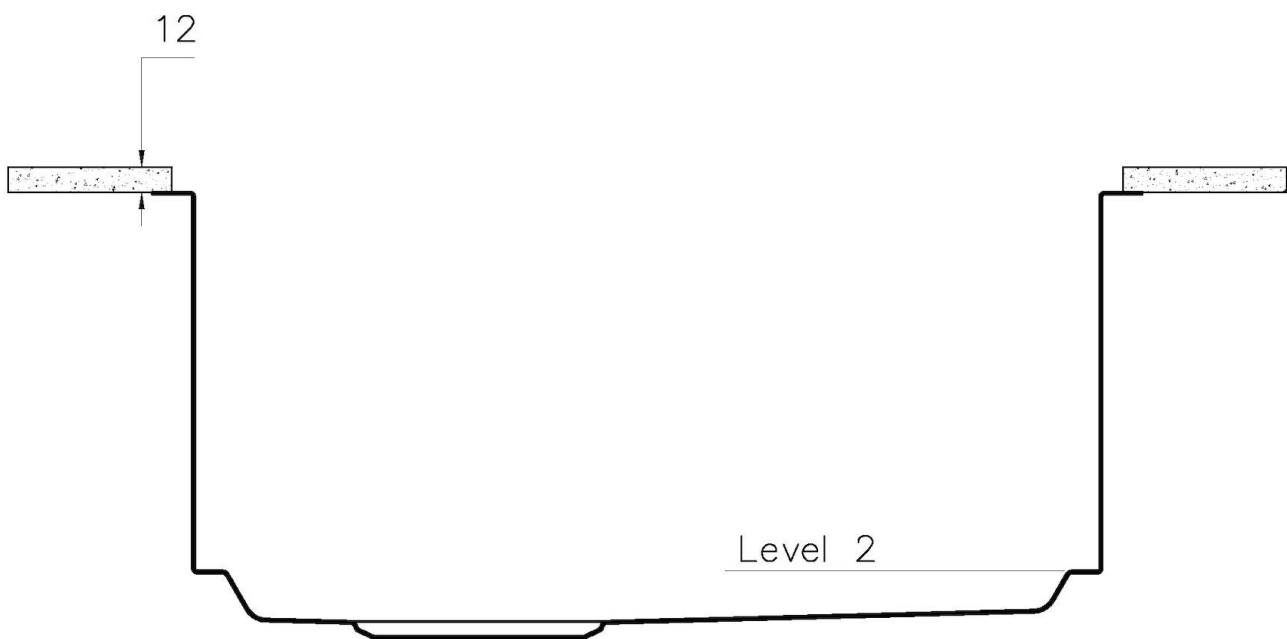
8100 615
8100 614
8100 037
8100 620
8100 621
8100 622
8100 628
8642 000



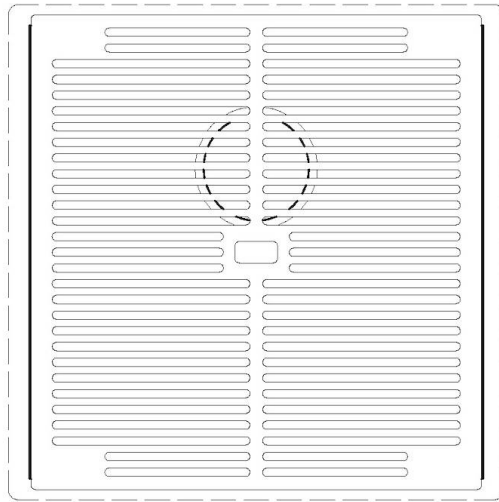
QUADRA EVO Livelli accessori / Level accessories SOTTOTOP / UNDERMOUNT

LEVEL 2:

8100 615

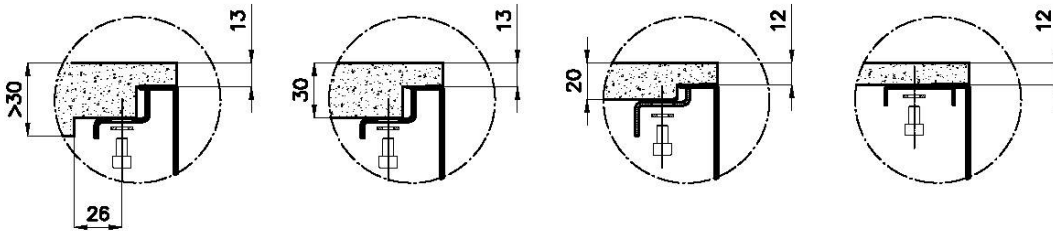


1254/85-

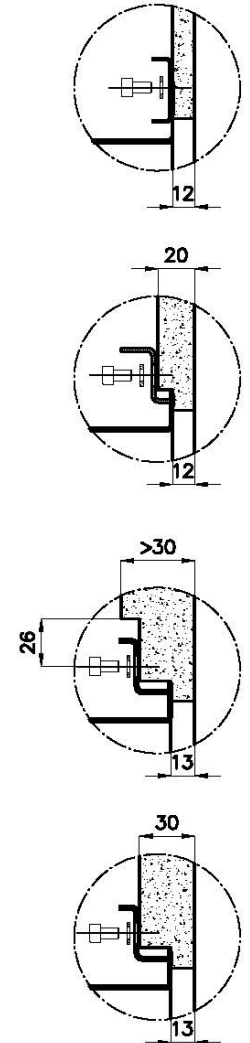
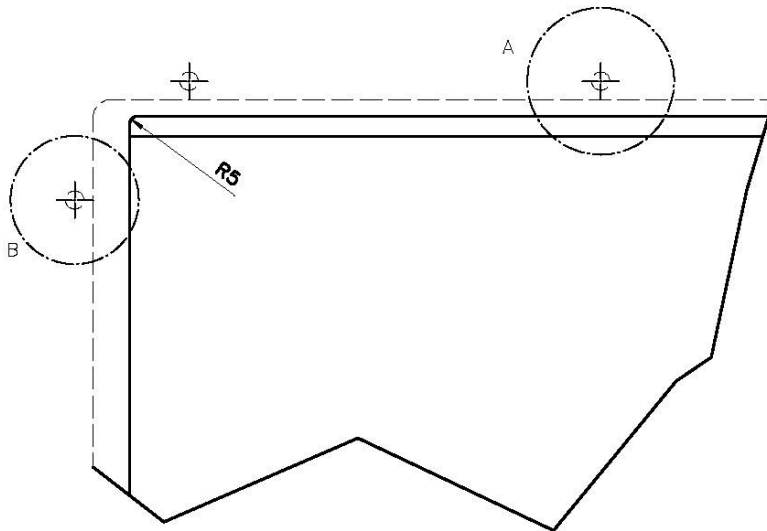


GRIGLIA POSIZIONATA A FILO VASCA / GRID EDGE POSITIONING

Sottotop/Undermount

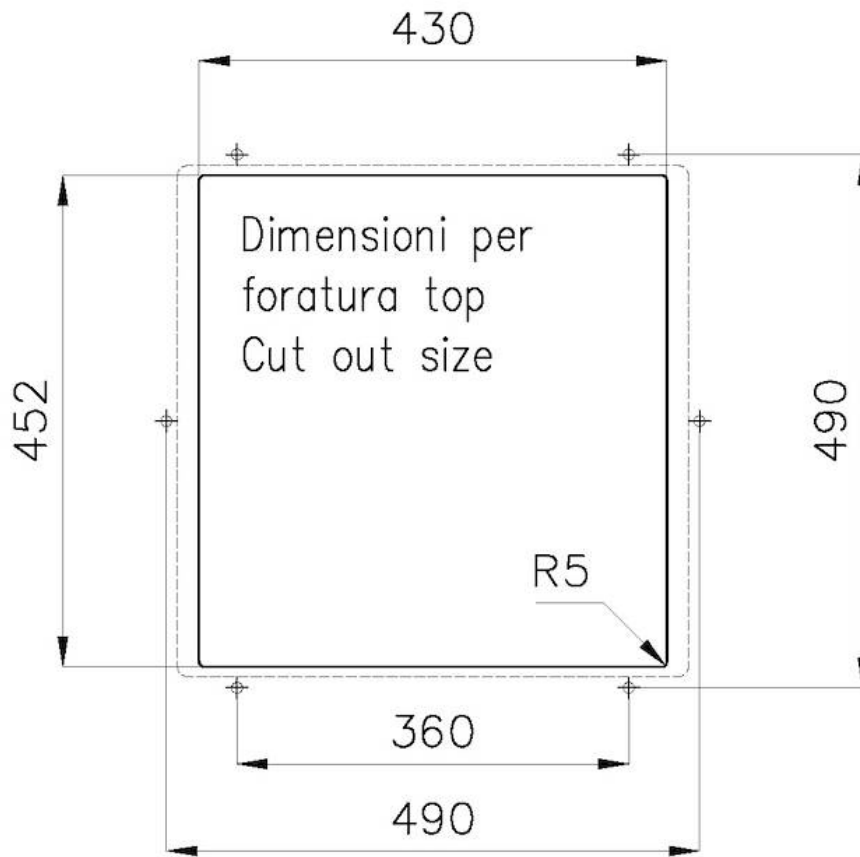


B-B:
 Dettaglio installazione e sistema di fissaggio
 Installation detail and fixing system

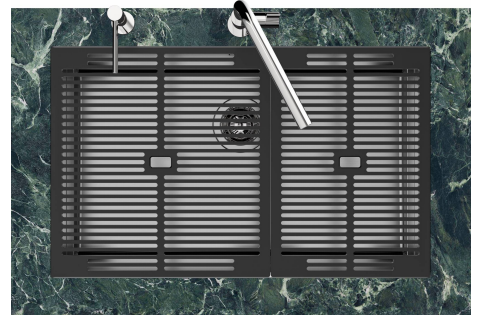
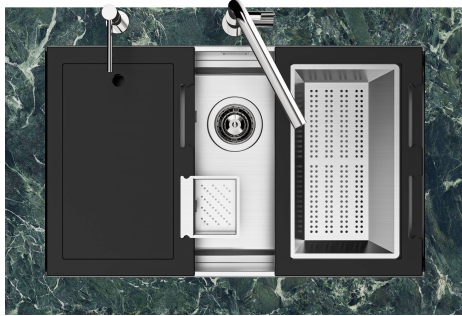
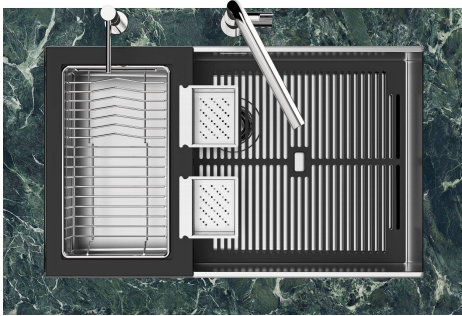
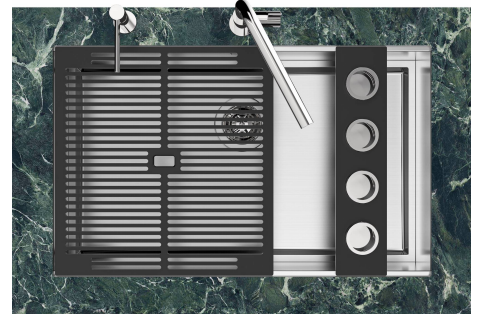
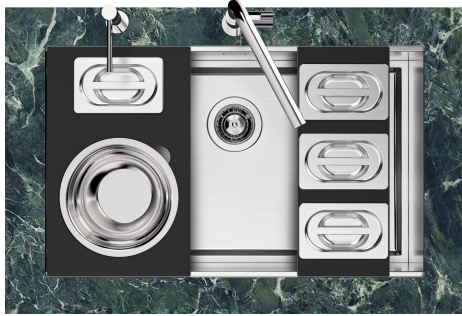
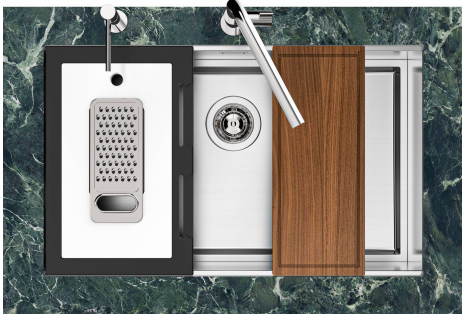
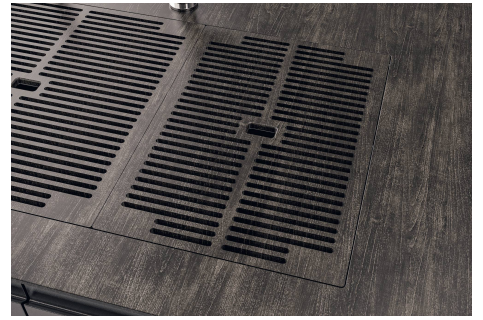


A-A:
 Dettaglio installazione positive reveal e sistema di fissaggio
 Installation detail with positive reveal and fixing system

1254/85-



GALLERY

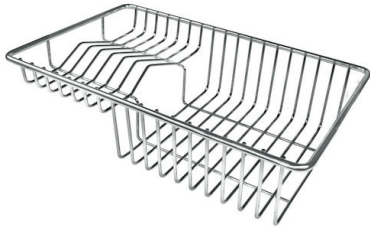


EQUIPMENT



Black grid
8100 615

OPTIONAL ACCESSORIES



Stainless steel plate rack
8100 303



White bowl
8153 100



Stainless steel perforated tray
8151 001



3 Bottles-holder set
8100 621



3 Bowls set
8100 622



4 Spices-holder set
8100 620



Graters kit with ring-holder and food collection tray
8159 101



Kit Black
8100 037



Kit multi-bowl
8100 628



Knives-holder
8100 030



Stainless steel perforated tray
8151 000



Stainless steel perforated tray PVD Copper
8151 008

* only in combination with the accessory
8100 621



**Stainless steel perforated tray PVD
Gold**
8151 009



**Stainless steel perforated tray PVD
Gun Metal**
8151 006



Walnut-wood chopping board
8642 000

OPTIONAL AUTOMATIC WASTE FITTINGS



**Gun Metal automatic waste fitting
PG**
8407 110



**Space Push Gun Metal automatic
waste fitting PO**
8407 120